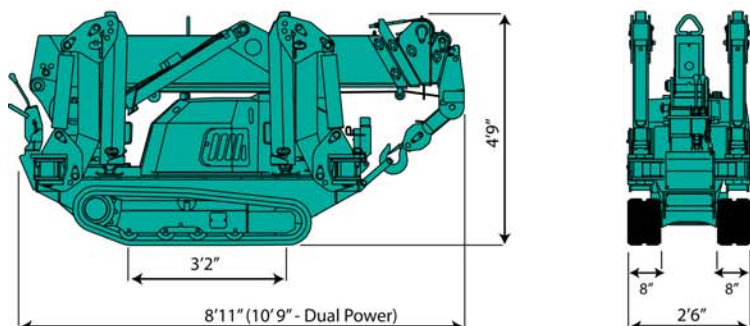


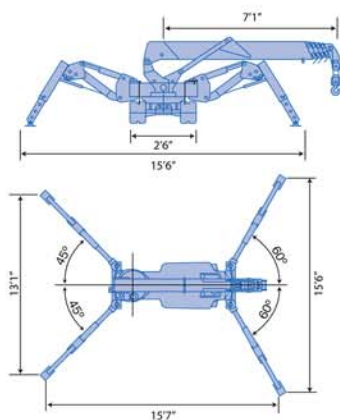
Maeda 285 C-2 Mini Crawler Crane



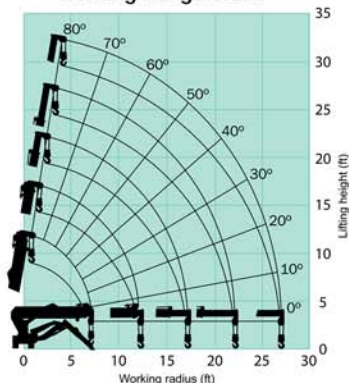
Overall Size



Outrigger Spread Dimensions



Working Range Chart



The Working Range Chart does not take into account boom deflection under load.

The maximum reach below ground level is:

Four Part	Two Part	Single Part
33'	66'	132'

Crane Model	MC305CRM(E)-2										
Maximum Capacity	6,560 LB.										
Maximum Working Radius	39.8'										
Maximum Lifting Height	41' Approx.										
Hook Speed	44' / Minute (4 Part / 4 th Layer)										
Single Line Speed	177' / Minute (4 th Layer)										
Hoist Rope	IWRC 6 x WS(26) 8mm x 240'										
Hoist Below Grade - Maximum	1 Part Line - 211' 2 Part Line - 105' 4 Part Line - 53'										
Boom System	<table border="0"> <tr> <td>Boom Length</td> <td>12'1" - 41'0"</td> </tr> <tr> <td>Telescopic Speed</td> <td>29' / 26 Seconds (40 Sec. Electric)</td> </tr> <tr> <td>Boom Type</td> <td>Automatic 5 Section, Pentagonal Telescopic</td> </tr> </table>	Boom Length	12'1" - 41'0"	Telescopic Speed	29' / 26 Seconds (40 Sec. Electric)	Boom Type	Automatic 5 Section, Pentagonal Telescopic				
Boom Length	12'1" - 41'0"										
Telescopic Speed	29' / 26 Seconds (40 Sec. Electric)										
Boom Type	Automatic 5 Section, Pentagonal Telescopic										
Boom Hoist	<table border="0"> <tr> <td>Angle</td> <td>0° - 80°</td> </tr> <tr> <td>Speed</td> <td>14.5 Seconds (20 Sec. Electric)</td> </tr> </table>	Angle	0° - 80°	Speed	14.5 Seconds (20 Sec. Electric)						
Angle	0° - 80°										
Speed	14.5 Seconds (20 Sec. Electric)										
Swing	<table border="0"> <tr> <td>Radius</td> <td>360°</td> </tr> <tr> <td>Speed</td> <td>2.4 RPM (1.6 RPM Electric)</td> </tr> </table>	Radius	360°	Speed	2.4 RPM (1.6 RPM Electric)						
Radius	360°										
Speed	2.4 RPM (1.6 RPM Electric)										
Outriggers	<table border="0"> <tr> <td>Type</td> <td>3 Position, Lower And Extend By Direct Acting Hydraulic Cylinders, Manual Swing-Out And Pin</td> </tr> </table>	Type	3 Position, Lower And Extend By Direct Acting Hydraulic Cylinders, Manual Swing-Out And Pin								
Type	3 Position, Lower And Extend By Direct Acting Hydraulic Cylinders, Manual Swing-Out And Pin										
Travel Crawler System	<table border="0"> <tr> <td>Drive</td> <td>Hydraulic Motor, Stepless Speed Changer</td> </tr> <tr> <td>Travel Speed</td> <td>0-1.7 Mph</td> </tr> <tr> <td>Gradability</td> <td>23°</td> </tr> <tr> <td>Ground Contact</td> <td>5'9" Length, 12" Wide</td> </tr> <tr> <td>Ground Pressure</td> <td>5.40 PSI Diesel Model, 5.59 PSI Electric Model (Dual Power)</td> </tr> </table>	Drive	Hydraulic Motor, Stepless Speed Changer	Travel Speed	0-1.7 Mph	Gradability	23°	Ground Contact	5'9" Length, 12" Wide	Ground Pressure	5.40 PSI Diesel Model, 5.59 PSI Electric Model (Dual Power)
Drive	Hydraulic Motor, Stepless Speed Changer										
Travel Speed	0-1.7 Mph										
Gradability	23°										
Ground Contact	5'9" Length, 12" Wide										
Ground Pressure	5.40 PSI Diesel Model, 5.59 PSI Electric Model (Dual Power)										
Engine	<table border="0"> <tr> <td>Model</td> <td>Yanmar 3TNV76, 4 Cycle, Diesel, 3 Cylinder Water Cooled</td> </tr> <tr> <td>Rated Output</td> <td>20.38 hp, 15.2kw, 20.7ps /2500 RPM</td> </tr> <tr> <td>Fuel Tank</td> <td>10.5 Gal.</td> </tr> </table>	Model	Yanmar 3TNV76, 4 Cycle, Diesel, 3 Cylinder Water Cooled	Rated Output	20.38 hp, 15.2kw, 20.7ps /2500 RPM	Fuel Tank	10.5 Gal.				
Model	Yanmar 3TNV76, 4 Cycle, Diesel, 3 Cylinder Water Cooled										
Rated Output	20.38 hp, 15.2kw, 20.7ps /2500 RPM										
Fuel Tank	10.5 Gal.										
Electric Motor (Dual Power)	<table border="0"> <tr> <td>Model</td> <td>Toshiba IKKH-FBK8G-4P-5.5kw</td> </tr> <tr> <td>Type</td> <td>3 Phase, 230v, 60 hz, 5.5kw 4p, Invert Controlled 30hz -60hz</td> </tr> </table>	Model	Toshiba IKKH-FBK8G-4P-5.5kw	Type	3 Phase, 230v, 60 hz, 5.5kw 4p, Invert Controlled 30hz -60hz						
Model	Toshiba IKKH-FBK8G-4P-5.5kw										
Type	3 Phase, 230v, 60 hz, 5.5kw 4p, Invert Controlled 30hz -60hz										
Remote Control	<table border="0"> <tr> <td>Standard</td> <td>Cable Remote Control, Graduated Micro Speed, Load LCD Display, Outrigger Operation</td> </tr> </table>	Standard	Cable Remote Control, Graduated Micro Speed, Load LCD Display, Outrigger Operation								
Standard	Cable Remote Control, Graduated Micro Speed, Load LCD Display, Outrigger Operation										
Dimensions	<table border="0"> <tr> <td>Outriggers Retracted</td> <td>14'1" Length, 4'3" Width, 5'7" Height</td> </tr> <tr> <td>Outriggers Max. Pos.</td> <td>17'0" Length, 15'10" Width Front, 15'6" Width Rear</td> </tr> <tr> <td>Outriggers Med. Pos.</td> <td>16'0" Length, 14'6" Width Front, 14'0" Width Rear</td> </tr> <tr> <td>Outriggers Min. Pos.</td> <td>15'0" Length, 13'2" Width Front, 12'5" Width Rear</td> </tr> <tr> <td>Net Weight</td> <td>Diesel Model 8,800 Lb. --- Electric Dual Power Model 9,100 Lb.</td> </tr> </table>	Outriggers Retracted	14'1" Length, 4'3" Width, 5'7" Height	Outriggers Max. Pos.	17'0" Length, 15'10" Width Front, 15'6" Width Rear	Outriggers Med. Pos.	16'0" Length, 14'6" Width Front, 14'0" Width Rear	Outriggers Min. Pos.	15'0" Length, 13'2" Width Front, 12'5" Width Rear	Net Weight	Diesel Model 8,800 Lb. --- Electric Dual Power Model 9,100 Lb.
Outriggers Retracted	14'1" Length, 4'3" Width, 5'7" Height										
Outriggers Max. Pos.	17'0" Length, 15'10" Width Front, 15'6" Width Rear										
Outriggers Med. Pos.	16'0" Length, 14'6" Width Front, 14'0" Width Rear										
Outriggers Min. Pos.	15'0" Length, 13'2" Width Front, 12'5" Width Rear										
Net Weight	Diesel Model 8,800 Lb. --- Electric Dual Power Model 9,100 Lb.										
Standard Equipment	Load Indicator, Hydraulic Safety Valve, Level & Inclination Alarm, Anti Two Block, Winch Cable Warning, Emergency Shut Off, Travel Lock, Outrigger Interlock Device, Programmable Capacity Moment Limiter, Rotary Warning Light, Hour Meter, 2 Part/ 4 Part Hook Block, Hook Safety Latch, Automatic Hook Stowage										
Optional Equipment	Dual Power Electric Motor, Radio Remote Control, White Rubber Tracks, Single Part Ball/Hook										



The Lifting Professionals

410 Stevenson Dr • Bolingbrook, IL 60440
630-972-9199

16675 Van Dam • South Holland, IL 60473
219-972-9199

stevensoncrane.com

Maeda 285 C-2 Mini Crawler Crane

Capacity Chart

MAXIMUM Outrigger Position, 4 Part Line					
Boom Length	8.3 Ft.	8.4 - 13.4 Ft.	13.5 - 18.3 Ft.	18.4 - 23.2 Ft.	23.3 - 28.1 Ft.
Radius (Ft.)	Load (Lbs.)	Load (Lbs.)	Load (Lbs.)	Load (Lbs.)	Load (Lbs.)
4.5	6210	6210			
5.0	5490	5490			
6.5	4280	4280			
7.0	4020	4020			
8.0		3550	2680		
10.0		2630	2630		
11.8		2080	2050	1800	
12.0		2050	2000	1780	
13.0			1750	1640	1210
15.0			1350	1240	860
17.0			1160	1010	710
18.0				950	660
20.0				820	570
22.0				720	470
25.0					380
26.9					330

OTHER THAN MAXIMUM Outrigger Position, 4 Part Line					
Boom Length	8.3 Ft.	8.4 - 13.4 Ft.	13.5 - 18.3 Ft.	18.4 - 23.2 Ft.	23.3 - 28.1 Ft.
Radius (Ft.)	Load (Lbs.)	Load (Lbs.)	Load (Lbs.)	Load (Lbs.)	Load (Lbs.)
4.5	3790	3790			
5.0	9372	3720			
6.5	2410	2410			
7.0	2090	2090			
8.0		1500	1120		
10.0		1120	1100		
11.8		860	860	880	
12.0		810	840	850	
13.0			740	740	720
15.0			600	600	600
17.0			440	460	460
18.0				390	390
20.0				340	340
22.0				300	280
25.0					170
26.9					130

The rated capacity chart is based on the actual working radius including boom deflection. The weight of the hook block (44 lb.) must be included as part of the load shown in the rated capacity chart.

Due to wire rope strength limitations, when using two part or single part hooks, use the appropriate four part rated capacity chart above but with a maximum load of:

Two Part – 3,130 lb., Single Part – 1,580 lb.

This rated capacity chart is supplied for reference only. Operator and all personnel must refer to the actual crane rating capacity chart to determine allowable machine lifting and operating procedures. ASME B 30.5 2004. ISO 9001 compliant



The Lifting Professionals

410 Stevenson Dr • Bolingbrook, IL 60440
630-972-9199

16675 Van Dam • South Holland, IL 60473
219-972-9199

stevensoncrane.com