

MANITRANSIT

TMT 55
Series

- Lift Capacity: 5,500 lb.
- Maximum lift height: 135 in.
- Maximum forward reach: 58 in.
- Hydrostatic transmission
- Three wheel drive
- Stabilizers

*Unique,
patented design*

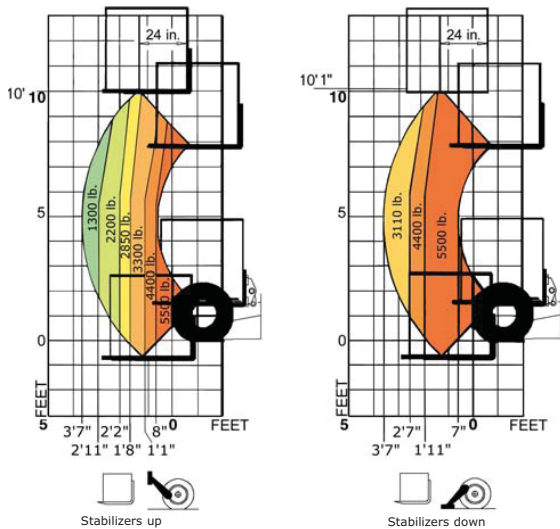


410 Stevenson Dr • Bolingbrook, IL 60440 • 630-972-9199
16675 Van Dam Rd • South Holland, IL 60473 • 219-972-9199

www.stevensoncrane.com

TMT 55 Series with Short Boom LOAD CAPACITY CHART

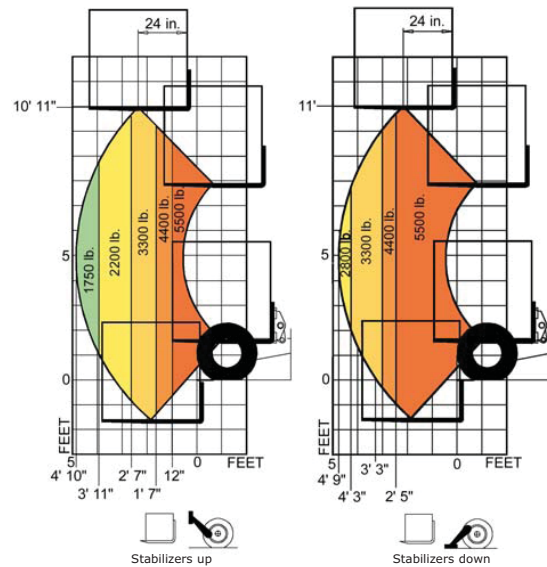
EQUIPPED WITH STANDARD 48" CARRIAGE AND 48" FORKS
(OPTIONAL ATTACHMENTS CAN DERATE THIS CHART)



Capacities shown in pounds/feet are the maximum recommended load limits at the indicated extensions of the boom. Capacity ratings are based on a 48" homogeneous cube and are in accordance with ANSI/ASME B56.6 stability standards. Capacity reductions must be made for extended load centers and when used with various other attachments, contact MANITOU NORTH AMERICA, INC.

TMT 55 Series with Long Boom LOAD CAPACITY CHART

EQUIPPED WITH STANDARD 48" CARRIAGE AND 48" FORKS
(OPTIONAL ATTACHMENTS CAN DERATE THIS CHART)



Capacities shown in pounds/feet are the maximum recommended load limits at the indicated extensions of the boom. Capacity ratings are based on a 48" homogeneous cube and are in accordance with ANSI/ASME B56.6 stability standards. Capacity reductions must be made for extended load centers and when used with various other attachments, contact MANITOU NORTH AMERICA, INC.



410 Stevenson Dr • Bolingbrook, IL 60440 • 630-972-9199
16675 Van Dam Rd • South Holland, IL 60473 • 219-972-9199
www.stevensoncrane.com



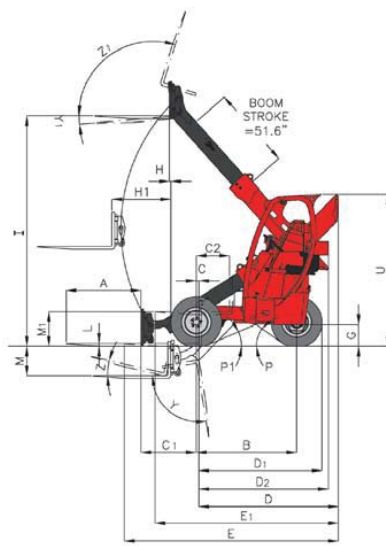
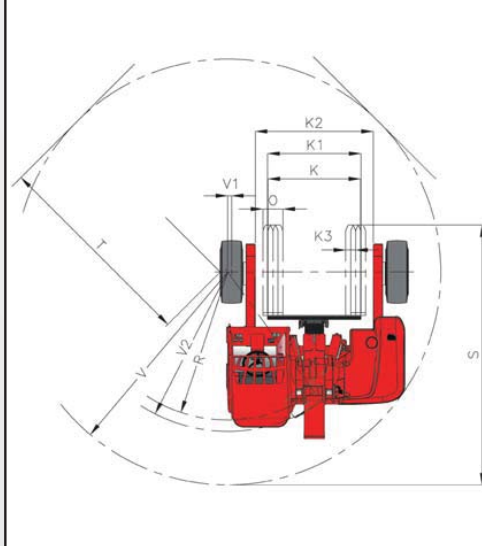
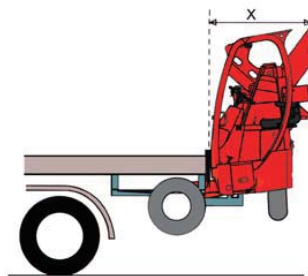
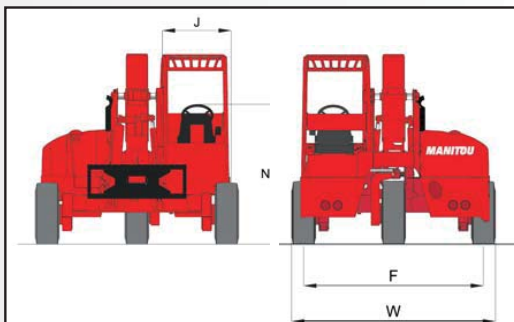
The TMT 55 Series includes:

FL = Full Length - longer boom

XT = Xtra Traction - HT package with large capacity wheel motors

HT = High Traction - high flotation tires

Turbo = XT package with 62 HP Turbo diesel engine



DIMENSIONS:

	TMT 55	TMT 55FL	TMT 55FLHT	TMT 55FLXT
A	.48	.48	.48	.48
B	.58	.58	.58	.58
C	.19	.19	.19	.19
C ₁	.1	.1	.1	.1
C ₂	.13	.32	.32	.32
D	.75	.81	.81	.81
D ₁	.71	.71	.71	.71
D ₂	.75	.75	.75	.75
E	.123	.129	.129	.129
E ₁	.106	.112	.112	.112
F	.84/87	.84	.87	.87
G	.12	.12	.12	.12
H	.1	.1	.1	.1
H ₁	.18	.34	.34	.34
I	.120	.135	.135	.135
J	.32	.32	.32	.32
K	.46	.46	.46	.46
K ₁	.50	.50	.50	.50
K ₂	.60	.60	.60	.60
K ₃	.4	.4	.4	.4
L	1.75	1.75	1.75	1.75
M	.6	.17	.17	.17
M ₁	.20	.20	.20	.20
N	.65	.65	.65	.65
O	.6	.6	.6	.6
P	.35°	.35°	.35°	.35°
P ₁	.23°	.23°	.23°	.23°
R	.75	.75	.75	.75
S	.133	.133	.133	.133
T	.105	.105	.105	.105
U	.89	.89	.89	.89
V	.108	.108	.108	.108
V ₁	.2	.2	.2	.2
V ₂	.81	.81	.81	.81
W	.95/102	.95	.102	.102
X	.46	.55	.55	.55
Y	.99°	.99°	.99°	.99°
Y ₁	.5°	.5°	.5°	.5°
Z	.13°	.13°	.13°	.13°
Z ₁	.107°	.107°	.107°	.107°



410 Stevenson Dr • Bolingbrook, IL 60440 • 630-972-9199
 16675 Van Dam Rd • South Holland, IL 60473 • 219-972-9199

www.stevensoncrane.com

TMT 55 Series

TMT 55 TMT 55 HT TMT 55 FL TMT 55 FLHT TMT 55 FLXT TMT 55 FLXT Turbo



Lift Capacity

Maximum (24 in. load center, in front of wheels, stabilizers down)5,500 lb.



Lift Height:

Maximum lift height120 in.120 in.135 in.135 in.135 in.135 in.
Maximum forward reach44 in.44 in.58 in.58 in.58 in.58 in.



Tires:

.....31x10-16.531x15.5-1531x10-16.5....31x15.5-1531x15.5-1531x15.5-15



Forks:

Length48 in.
Width x thickness4 in. x 1.75 in.
Maximum distance between forks42 in.
Carriage tilt107°



Brakes:

Service (pedal)Hydrostatic
Parking brakeNegative disc with electrical control



Engine:

Type.....Perkins 404C-22.....DieselDieselDieselDieselDiesel.....Turbo
Displacement.....135 cu. in.
Power (@ 3000 rpm)52HP.....52HP.....52HP52HP52HP.....62HP
Maximum torque (@ 1800 rpm)...105 ftlb.....105 ftlb.105 ftlb105 ftlb.....105 ftlb....142 ftlb
InjectionIndirect
CoolingWater



Transmission:

Type.....Hydrostatic, hydraulic reversing shift, full syncro
Maximum travel speed8 mph



Hydraulics:

PumpGear type, Flow divider with priority to steering
Flow.....3600 PSI - 9.5 gpm



Capacities:

Cooling system.....2 gal.
Engine oil2 gal.
Fuel tank9 gal.
Hydraulic fluid10 gal.



Specifications:

Weight (with forks)5,3355,4155,5055,5855,6305,680
Turning radius (outside wheels).....108108108108108108
Overall height898989898989
Overall width9510295102102102
Overall length (without forks)106106112112112112
Ground clearance121212121212
Drawbar pull5,200.6,0005,2006,000TBDTBD

STANDARD EQUIPMENT:

- 50" ITA Class II Standard Carriage
- Ergonomic ROPS/FOPS Operator's Compartment
- Stabilizers
- Full Instrumentation
- Differential Lock
- Service Brake
- Joystick Controls
- DOT Light Package with Hook Up Harness
- LED Lights
- Backup Alarm
- Side Shift

OPTIONAL EQUIPMENT:

- Load Backrest
- Rotating Beacon
- Turbo II Precleaner
- Spare Tire
- Supplemental Hydraulic Circuit
- Turf Tires
- Carriage Rollers
- Drywall Package



410 Stevenson Dr • Bolingbrook, IL 60440 • 630-972-9199
16675 Van Dam Rd • South Holland, IL 60473 • 219-972-9199

www.stevensoncrane.com