

MANISCOPIC **MRT 2150**



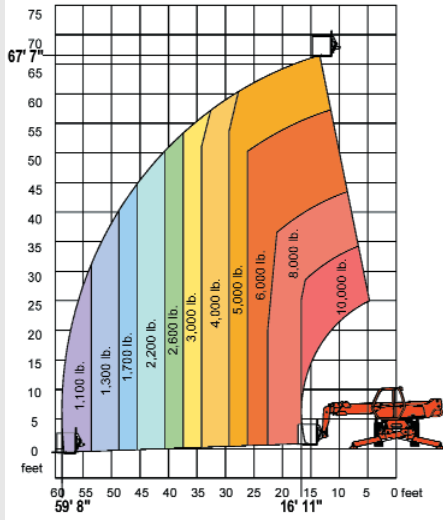
- **Lift Capacity: 10,000 lb.**
- **Maximum Lift Height: 67 ft. 11 in.**
- **Maximum Forward Reach: 59 ft. 8 in.**
- **Perkins 132 HP Engine**
- **Hydrostatic Transmission**
- **Four Wheel Drive**
- **Continuous Rotation**
- **Three Steering Modes**
- **Frame Leveling**



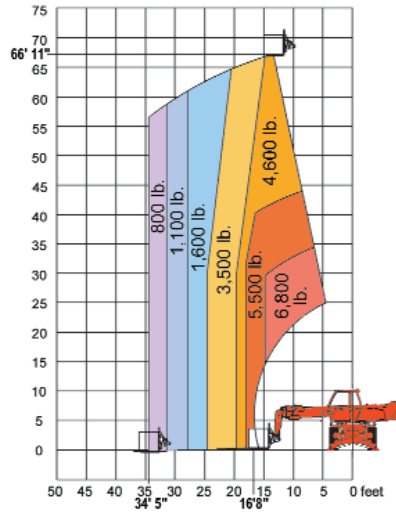
410 Stevenson Dr • Bolingbrook, IL 60440 • 630-972-9199
16675 Van Dam Rd • South Holland, IL 60473 • 219-972-9199

www.stevensoncrane.com

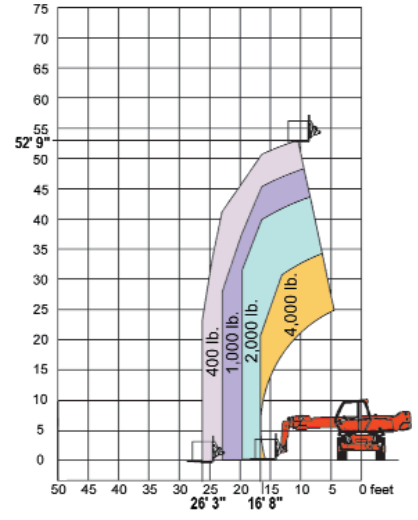
Rotation on Stabilizers with Forks



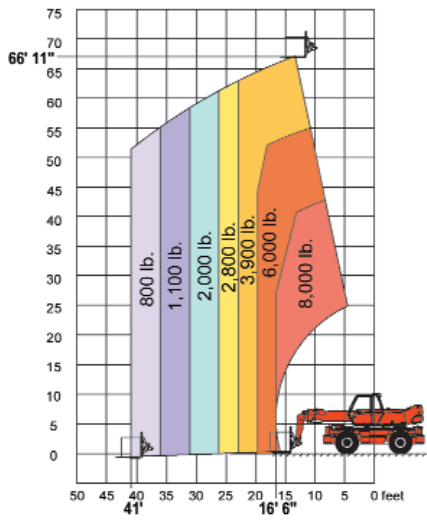
Rotation on Partial Stabilizers with Forks



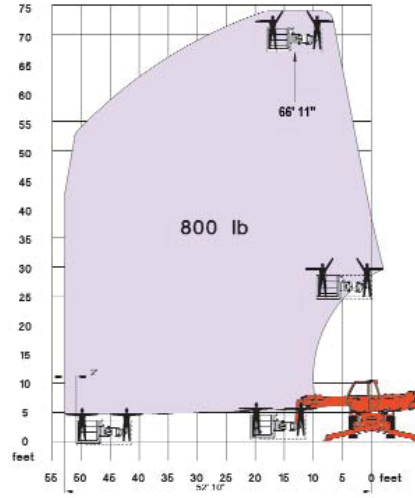
Rotation on Tires with Forks



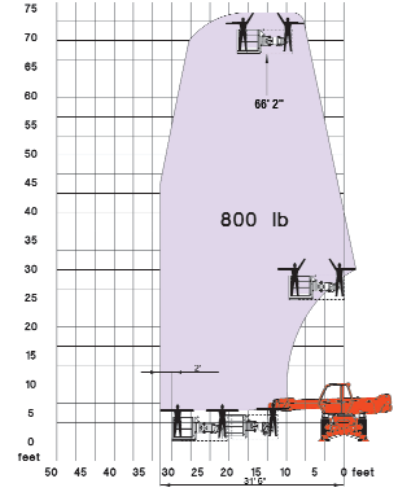
Frontal Position on Tires with Forks



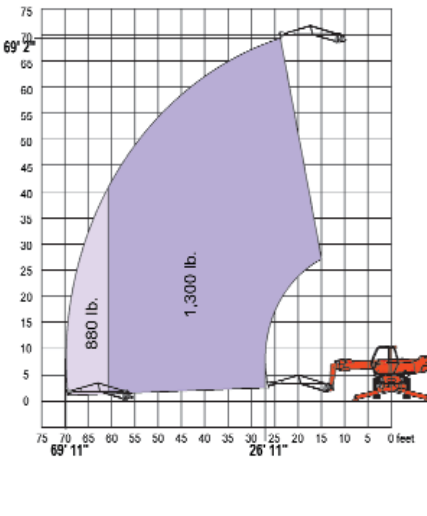
Rotation on Stabilizers with 800# Capacity Work Platform
Max. Load - 800 lb. (3 persons inc.) - Max



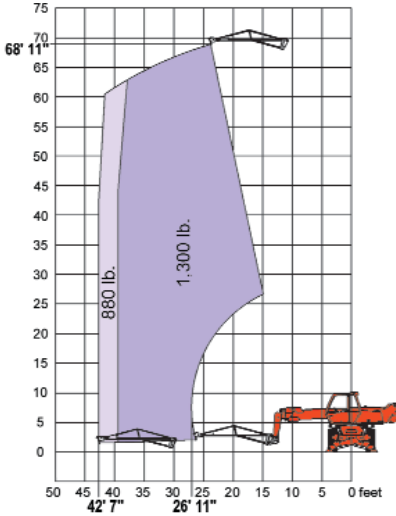
Rotation on Partial Stabilizers with 800# Capacity Work Platform



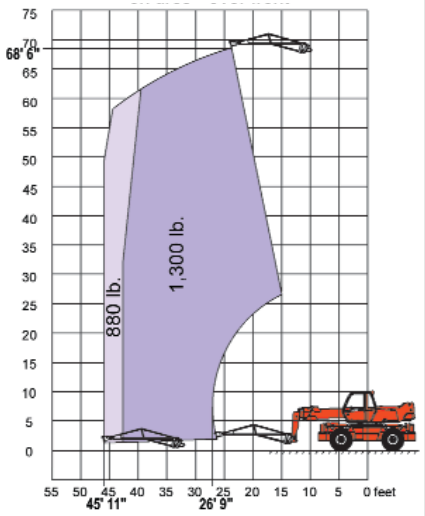
Frontal Position on Tires with 1300# Capacity Jib



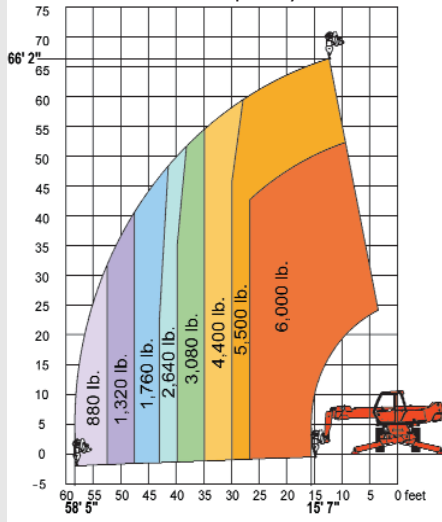
Rotation on Stabilizers with 1300# Capacity Jib



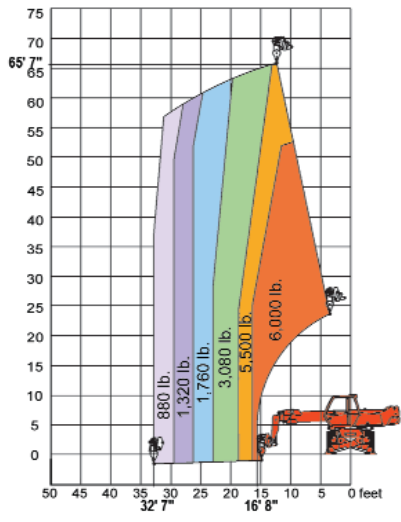
Rotation on Partial Stabilizers with 1300# Capacity Jib



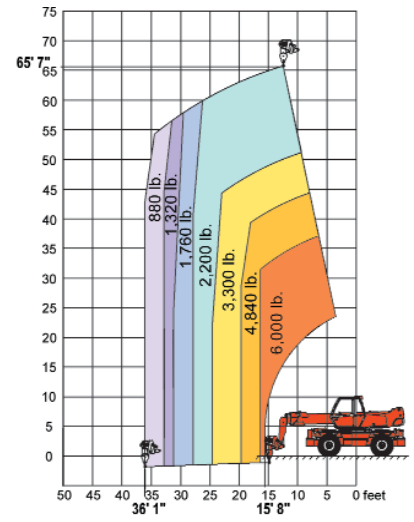
Rotation on Stabilizers with 3 Ton Capacity Winch



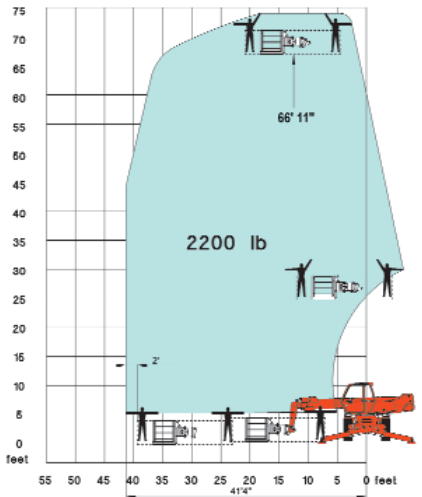
Rotation on Partial Stabilizers with 3 Ton Capacity Winch



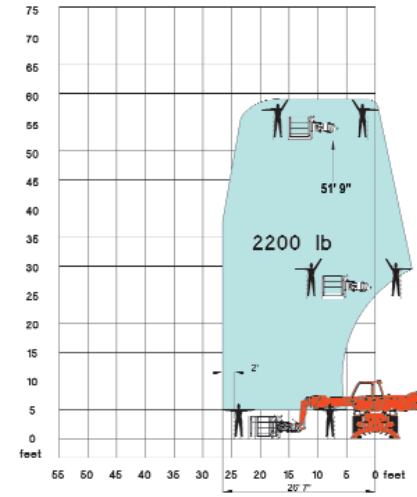
Frontal Position on Tires with 3 Ton Capacity Winch



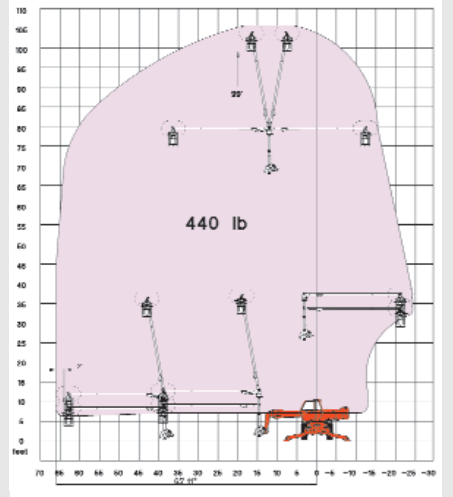
Rotation on Stabilizers with 2200# Capacity Work Platform
Max. Load - 2200 lb. (3 persons inc.) - Max Work Height - 73' 6\"/>



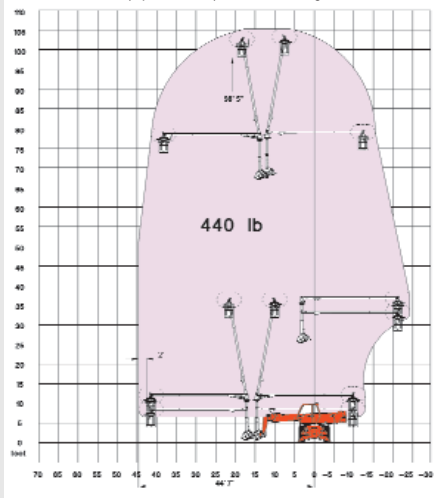
Rotation on Partial Stabilizers with 2200# Capacity Work Platform
Max. Load - 2200 lb. (3 persons inc.) - Max Work Height - 58' 5\"/>



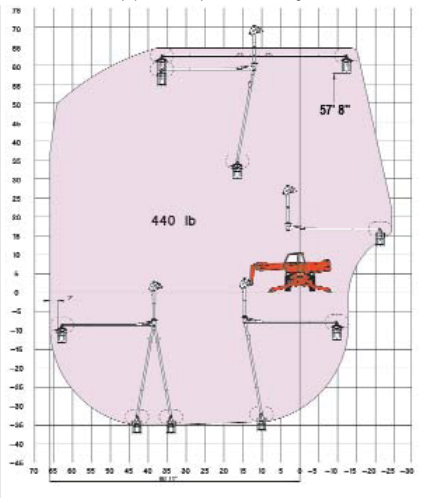
Rotation on Stabilizers with Rotating Pendulum Basket
Max. Load - 440 lb. (2 persons inc.) - Max Work Height - 105' 7\"/>



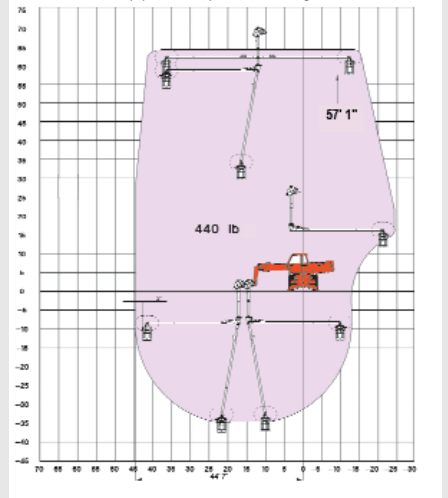
Rotation on Partial Stabilizers with Rotating Pendulum Basket
Max. Load - 440 lb. (2 persons inc.) - Max Work Height - 105' - Position A



Rotation on Stabilizers with Rotating Pendulum Basket
Max. Load - 440 lb. (2 persons inc.) - Max Work Height - 64' 4\"/>



Rotation on Partial Stabilizers with Rotating Pendulum Basket
Max. Load - 440 lb. (2 persons inc.) - Max Work Height - 63' 7\"/>



MRT 2150



Lift Capacity:

Max. (24" load center - on stabilizers)...10,000 lb.



Lift Height:

Maximum lift height.....67 ft. 11 in.

Maximum forward reach.....59 ft. 8 in.



Tires:

.....18 x 22.5 16PR



Forks:

Length.....48 in.

Thickness/width2.25 in. x 4 in.

Maximum distance between forks.....40 in.

Carriage rotation135°



Brakes:

...Multidisc - hydraulically assisted on four wheels

Negative parking brake



Engine:

Type.....Perkins 1104-44TA Turbo Diesel

Capacity.....4 cyl. 268 cu. in.

Power132 HP / 97 kw

Maximum Torque 369 ft.lb. at 1400 rpm

InjectionDirect

CoolingWater



Transmission:

TypeHydrostatic

Electro-hydraulic reversing shift

Speeds forward/reverse2/2

Maximum travel speed15.5 mph



Axles:

Frame leveling on front axle+/- 8°

Automatic rear axle locking system on 15° rotation



Stabilizers:

....Four simultaneous or individually controlled



Rotation:

.....Continuous

Turret mounted on a planetary rotation gearbox with internal gear

Hydraulic and electric rotation



Hydraulics:

Three pumpsGear type

Flow3900 PSI - 42 gpm

Flow divider with priority to steering and braking



Controls:

Two hydraulic proportional control joysticks for all hydraulic movements



Capacities:

Cooling system4 gal.

Engine oil.....3 gal.

Hydraulic oil.....53 gal.

Fuel tank.....60 gal.



Specifications:

Weight36,700 lb.

Turning radius (outside wheels).....177 in.

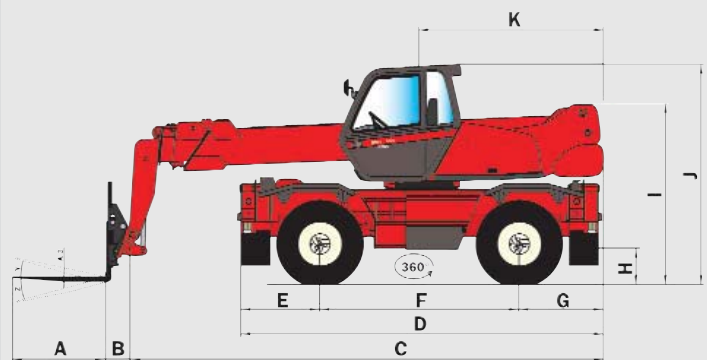
Overall height119 in.

Overall width96 in.

Overall length (without forks)255 in.

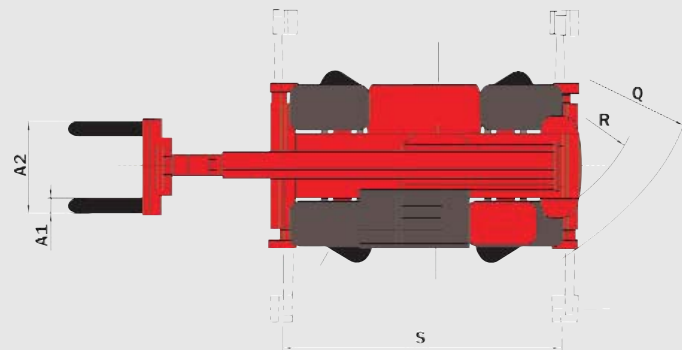
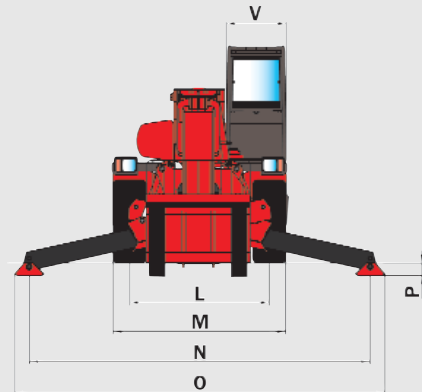
Ground clearance15 in.

Maximum drawbar pull23,500 lb.



DIMENSIONS:

A.....48	K.....98
A ₁4	L.....76
A ₂52	M.....96
A ₃2.25	N.....185
B.....11	O.....201
C.....255	P.....8
D.....199	Q.....177
E.....45	R.....150
F.....109	S.....179
G.....45	V.....37
H.....14.5	Y.....12°
I.....95	Z.....105°
J.....119	



STANDARD EQUIPMENT:

- Enclosed Cab
- Hydraulic Power Steering
- Three Steering Modes
- Full Time 4 Wheel Drive
- Limited Slip Front Axle
- Three Gear Outer Planetary Hubs
- Adjustable Seat
- Full Instrumentation
- Road Lights
- Horn
- Rotating Beacon
- Backup Alarm
- Wet Disc Brakes
- Parking Brake
- Quick Fit Tool System
- Automatic Attachment Leveling
- Hydraulic Lock-out Valves
- Auxiliary Boom Hydraulics
- Left & Right Side Mirrors
- Neutral Start Switch
- Tow Pin

OPTIONAL EQUIPMENT:

- A wide variety of attachments and options are available to meet the customer's individual applications



410 Stevenson Dr • Bolingbrook, IL 60440 • 630-972-9199
16675 Van Dam Rd • South Holland, IL 60473 • 219-972-9199

www.stevensoncrane.com