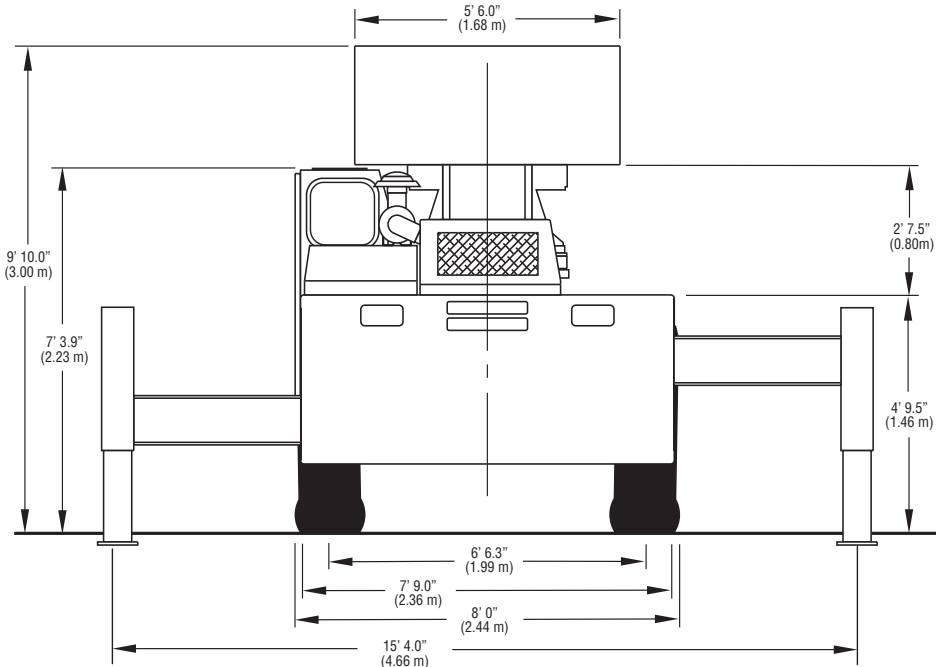
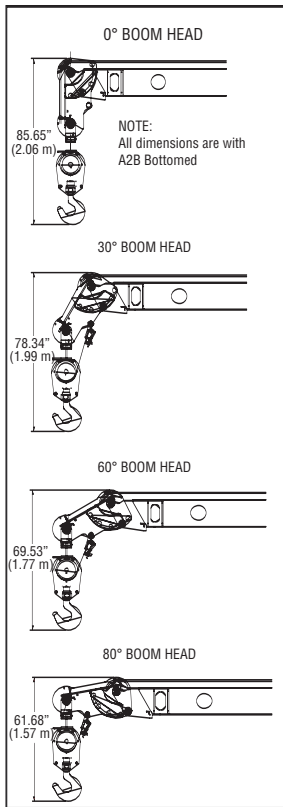
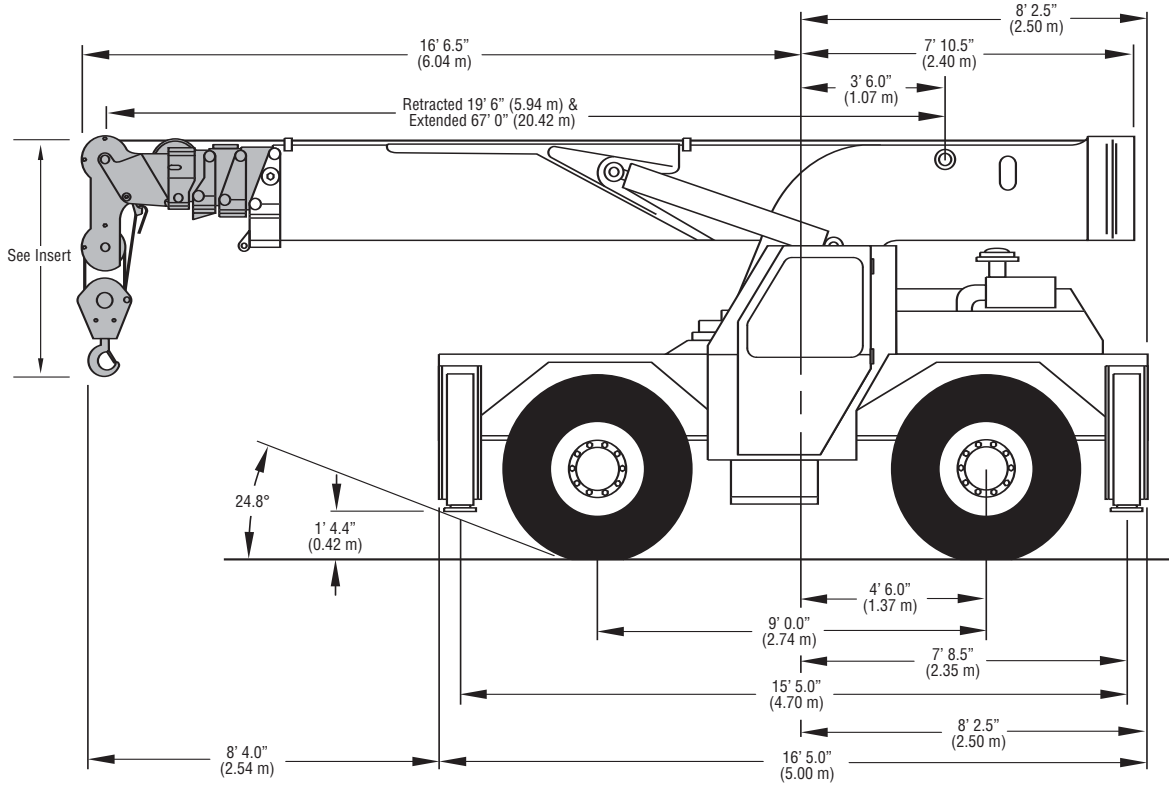


# Shuttlelift Carrydeck Crane 7755 - 5 section boom specs

## 7755

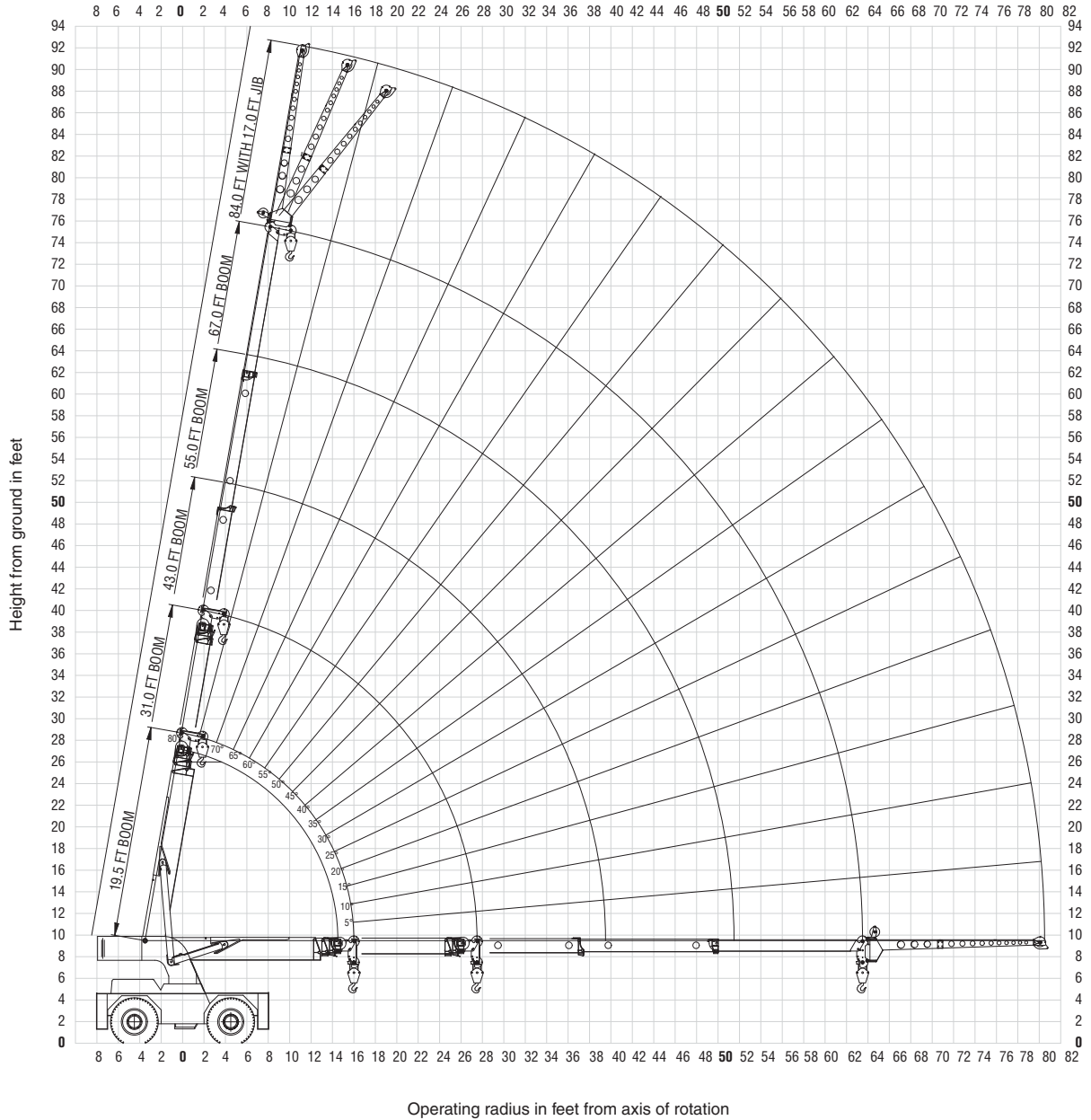


410 Stevenson Dr • Bolingbrook, IL 60440 • 630-972-9199  
16675 Van Dam Rd • South Holland, IL 60473 • 219-972-9199

[www.stevensoncrane.com](http://www.stevensoncrane.com)

# Shuttlelift Carrydeck Crane 7755 - 5 section boom specs

## 7755 (5-section boom)



410 Stevenson Dr • Bolingbrook, IL 60440 • 630-972-9199  
16675 Van Dam Rd • South Holland, IL 60473 • 219-972-9199

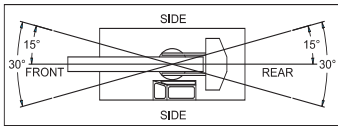
[www.stevensoncrane.com](http://www.stevensoncrane.com)

# Shuttlelift Carrydeck Crane 7755 - 5 section boom specs

## 7755 (5-section boom)

MAIN BOOM LOAD RATINGS ON OUTRIGGERS																			
Extended and Down 360° or Retracted and Down Front/Rear																			
Radius (ft)	Boom Angle (deg)	19.5 ft Boom		20.5-30 ft Boom		31 ft Boom		32-42 ft Boom		43 ft Boom		44-54 ft Boom		55 ft Boom		56-66 ft Boom		67 ft Boom	
		Rated Load (lbs)	Rated Load (lbs)	Rated Load (lbs)	Rated Load (lbs)	Rated Load (lbs)	Rated Load (lbs)	Rated Load (lbs)	Rated Load (lbs)	Rated Load (lbs)	Rated Load (lbs)	Rated Load (lbs)	Rated Load (lbs)	Rated Load (lbs)	Rated Load (lbs)	Rated Load (lbs)	Rated Load (lbs)	Rated Load (lbs)	Rated Load (lbs)
8.5	58	44000	26500	71	26500	25400	76	25400	19500	79	19500	-	-	-	-	-	-	-	-
10	52	40000	26500	68	26500	25400	74	25400	19500	78	19500	-	-	-	-	-	-	-	-
12	44	33800	25300	64	24200	24200	72	24200	17600	76	17600	14500	78	14500	-	-	-	-	-
14	33	28500	22900	59	22900	22600	69	22600	16100	74	16100	13200	77	13200	-	-	-	-	-
16	0	23700	20900	55	20900	20000	66	20000	14800	71	14800	12200	75	12200	-	-	-	-	-
18	-	-	19300	50	19300	17900	63	17900	13700	69	13700	11200	73	11200	-	-	-	-	-
20	-	-	17800	45	17800	16100	60	16100	12800	67	12800	10400	71	10400	-	-	-	-	-
22	-	-	16400	39	16400	14600	56	14600	12000	64	12000	9700	69	9700	-	-	-	-	-
24	-	-	14700	31	14700	13300	53	13300	11200	62	11200	9100	67	9100	-	-	-	-	-
26	-	-	13200	22	13200	12300	49	12300	10600	60	10600	8600	66	8600	-	-	-	-	-
27.5	-	-	11600	0	11600	11600	47	11600	10200	58	10200	8200	64	8200	-	-	-	-	-
30	-	-	-	-	-	9900	42	10500	9400	55	9400	7700	62	7700	-	-	-	-	-
32	-	-	-	-	-	8800	37	9800	8700	52	8700	7300	60	7300	-	-	-	-	-
34	-	-	-	-	-	7800	32	8700	8100	49	8100	6900	58	6900	-	-	-	-	-
36	-	-	-	-	-	7100	26	7800	7600	46	7600	6600	56	6600	-	-	-	-	-
38	-	-	-	-	-	6500	18	7000	7000	43	7000	6200	53	6200	-	-	-	-	-
39.5	-	-	-	-	-	6400	0	6400	6400	41	6800	6100	52	6100	-	-	-	-	-
42	-	-	-	-	-	-	-	-	5700	36	6300	5800	49	5800	-	-	-	-	-
44	-	-	-	-	-	-	-	-	5300	32	5800	5600	47	5600	-	-	-	-	-
46	-	-	-	-	-	-	-	-	4900	28	5300	5300	44	5300	-	-	-	-	-
48	-	-	-	-	-	-	-	-	4600	23	4800	4800	42	5000	-	-	-	-	-
50	-	-	-	-	-	-	-	-	4400	16	4400	4400	39	4700	-	-	-	-	-
51.5	-	-	-	-	-	-	-	-	4000	0	4000	4000	37	4500	-	-	-	-	-
54	-	-	-	-	-	-	-	-	-	-	-	3600	33	4200	-	-	-	-	-
56	-	-	-	-	-	-	-	-	-	-	-	3600	29	3900	-	-	-	-	-
58	-	-	-	-	-	-	-	-	-	-	-	3400	25	3600	-	-	-	-	-
60	-	-	-	-	-	-	-	-	-	-	-	3200	20	3300	-	-	-	-	-
62	-	-	-	-	-	-	-	-	-	-	-	3000	14	3000	-	-	-	-	-
63.5	-	-	-	-	-	-	-	-	-	-	-	2800	0	2800	-	-	-	-	-

RATING REDUCTIONS FOR LOAD HANDLING DEVICES INSTALLED (lbs)		
	FROM MAIN BLOCK	FROM JIB
MAIN BLOCK	400	N/A
HOOK & BALL	100	100
JIB STOWED	0	N/A
JIB DEPLOYED	500	0



- The rated loads are the maximum lifting capacities as determined by operating radius, boom length, and boom angle. The operating radius is the horizontal distance from a projection of the axis of rotation to the supporting surface, before loading, to the center of vertical hoist line or tackle with load applied.
- Rated load columns for discrete boom lengths apply when actual boom length is within +/- 1.0 ft. of discrete length. For other boom lengths, use appropriate intermediate boom length column.

- For operating radius not shown, use load rating of next larger radius.

- The rated loads shown on outriggers do not exceed 85% of actual tipping. The rated loads shown on rubber do not exceed 75% of actual tipping. These ratings are based on freely suspended loads with the crane leveled, standing on a firm, uniform supporting surface. Practical working loads depend on supporting surface, operating radius and other factors affecting stability. Hazardous surroundings, climatic conditions, experience of personnel and proper handling must all be taken into account by the operator.

- The weights of all load handling devices such as hooks, hook blocks, slings, etc., except for the hoist rope, shall be considered as part of the load. See reduction chart.

- Ratings on outriggers are for either outriggers fully extended and down or fully retracted and down. Ratings for outriggers fully retracted and down will apply for any intermediate outrigger setting.

- Ratings on rubber depend on tire capacity, condition of tires and proper inflation pressure (110 psi). Loads on rubber may be transported at a maximum speed of 2.5 mph on a smooth hard level surface with boom retracted to the shortest length possible and centered over front. For 360° ratings on rubber, rear axle oscillation locks must be in place. Do not use jib with crane on rubber.

- The maximum combined total boom and deck load is 20,000 lbs. The maximum deck load only is 30,000 lbs.

- Do not induce any external side loads to boom or jib.

MAIN BOOM LOAD RATINGS ON OUTRIGGERS																			
Retracted and Down 360°																			
Radius (ft)	Boom Angle (deg)	19.5 ft Boom		20.5-30 ft Boom		31 ft Boom		32-42 ft Boom		43 ft Boom		44-54 ft Boom		55 ft Boom		56-66 ft Boom		67 ft Boom	
		Rated Load (lbs)	Rated Load (lbs)	Rated Load (lbs)	Rated Load (lbs)	Rated Load (lbs)	Rated Load (lbs)	Rated Load (lbs)	Rated Load (lbs)	Rated Load (lbs)	Rated Load (lbs)	Rated Load (lbs)	Rated Load (lbs)	Rated Load (lbs)	Rated Load (lbs)	Rated Load (lbs)	Rated Load (lbs)	Rated Load (lbs)	
8.5	58	31000	26500	71	26500	25400	76	25400	19500	79	19500	-	-	-	-	-	-	-	-
10	52	24000	22300	68	22300	22000	74	22000	17000	78	17000	14500	78	14500	-	-	-	-	-
12	44	17200	16300	64	16300	16300	72	17000	17000	76	17000	14500	77	14500	-	-	-	-	-
14	33	13300	12500	59	12500	12500	69	13600	13600	74	14000	13200	75	13200	-	-	-	-	-
16	0	10200	9800	55	9800	9800	66	11100	11100	71	11200	11200	73	11500	-	-	-	-	-
18	-	-	7900	50	7900	7900	63	9100	9100	69	9300	9300	71	9400	-	-	-	-	-
20	-	-	6500	45	6500	6500	60	7500	7500	67	7800	7700	69	7700	-	-	-	-	-
22	-	-	5300	39	5300	5300	56	6200	6200	64	6600	6500	66	6500	-	-	-	-	-
24	-	-	4300	31	4300	4300	53	5200	5200	62	5600	5600	64	5600	-	-	-	-	-
26	-	-	3500	22	3500	3500	49	4400	4400	60	4800	4800	62	5000	-	-	-	-	-
27.5	-	-	2900	0	2900	2900	47	3900	3900	58	4300	4300	60	4600	-	-	-	-	-
30	-	-	-	-	-	2600	42	3200	3200	55	3600	3600	62	3900	-	-	-	-	-
32	-	-	-	-	-	2300	37	2700	2700	52	3100	3100	60	3400	-	-	-	-	-
34	-	-	-	-	-	1900	32	2300	2300	49	2700	2700	58	2900	-	-	-	-	-
36	-	-	-	-	-	1750	26	1900	1900	46	2300	2300	56	2500	-	-	-	-	-
38	-	-	-	-	-	1500	18	1600	1600	43	2000	2000	53	2100	-	-	-	-	-
39.5	-	-	-	-	-	1400	0	1400	1400	41	1750	1750	52	1850	-	-	-	-	-
42	-	-	-	-	-	-	-	-	1150	36	1450	1450	49	1500	-	-	-	-	-
44	-	-	-	-	-	-	-	-	1000	32	1200	1200	47	1300	-	-	-	-	-
46	-	-	-	-	-	-	-	-	850	28	1000	1000	44	1100	-	-	-	-	-
48	-	-	-	-	-	-	-	-	750	23	850	850	42	950	-	-	-	-	-
50	-	-	-	-	-	-	-	-	650	16	700	700	39	800	-	-	-	-	-
51.5	-	-	-	-	-	-	-	-	600	0	600	600	37	700	-	-	-	-	-
54	-	-	-	-	-	-	-	-	-	-	-	450	33	500	-	-	-	-	-
56	-	-	-	-	-	-	-	-	-	-	-	350	29	350	-	-	-	-	-
58	-	-	-	-	-	-	-	-	-	-	-	250	25	250	-	-	-	-	-
60	-	-	-	-	-	-	-	-	-	-	-	150	20	150	-	-	-	-	-
62	-	-	-	-	-	-	-	-	-	-	-	50	14	50	-	-	-	-	-
63.5	-	-	-	-	-	-	-	-	-	-	-	-	0	-	-	-	-	-	-

MAIN BOOM ON RUBBER		
Any Boom Length		
Radius (ft)	Front Rating (lbs)	360° Rating (lbs)
6	30000	21000
8	28000	17900
10	25000	15000
12	19600	12400
14	15500	9500
16	12400	7400
18	9900	6000
20	8100	4600
22	6800	3700
24	5700	3000
26	4900	2350
28	4200	2100
30	3700	1800
32	3300	1550
34	3000	1300
36	2700	1100
38	2500	950
40	2200	800
42	2000	675
44	1800	550
46	1650	450
48	1400	350
50	1300	250
52	1150	200
54	1050	150
56	950	75
58	875	25
60	800	-
62	700	-
63.5	600	-

SHADED AREAS ARE GOVERNED BY STRUCTURAL STRENGTH, DO NOT RELY ON TIPPING.

OPERATION OF THIS EQUIPMENT IN EXCESS OF RATING CHARTS AND DISREGARD OF INSTRUCTIONS IS DANGEROUS AND VOIDS WARRANTY.

MAXIMUM PERMISSIBLE SINGLE LINE PULL = 11,000 lbs

WIRE ROPE: 5/8 inch dia. 6 x 19 XPS IWRC BRIGHT  
Min. req'd breaking strength = 38,500 lbs

17 FT JIB CAPACITIES ON EXTENDED OUTRIGGERS					
Main Boom Angle (deg)	Jib Offset Angle				
	0 deg		15 deg		30 deg
	To 55.0 ft Main Boom	To 67.0 ft Main Boom	To 55.0 ft Main Boom	To 67.0 ft Main Boom	
80	-	-	5000	5000	3500
75	7500	-	4400	4400	3100
70	6100	-	3900	3900	2800
65	5000	-	3500	3500	2550
60	4300	4600	3150	3150	2350
55	3800	3300	2850	2850	2200
50	3400	2900	2600	2600	2100
45	3050	2600	2400	2400	2000
40	2800	2400	2250	2250	1950
35	2600	2150	2050	2050	1900
30	2400	1930	2080	1850	1830
25	2300	1750	2050	1720	-
20	2200	1600	2000	1590	-
15	2100	1500	1950	1520	-
10	2050	1480	-	-	-
5	2020	1450	-	-	-