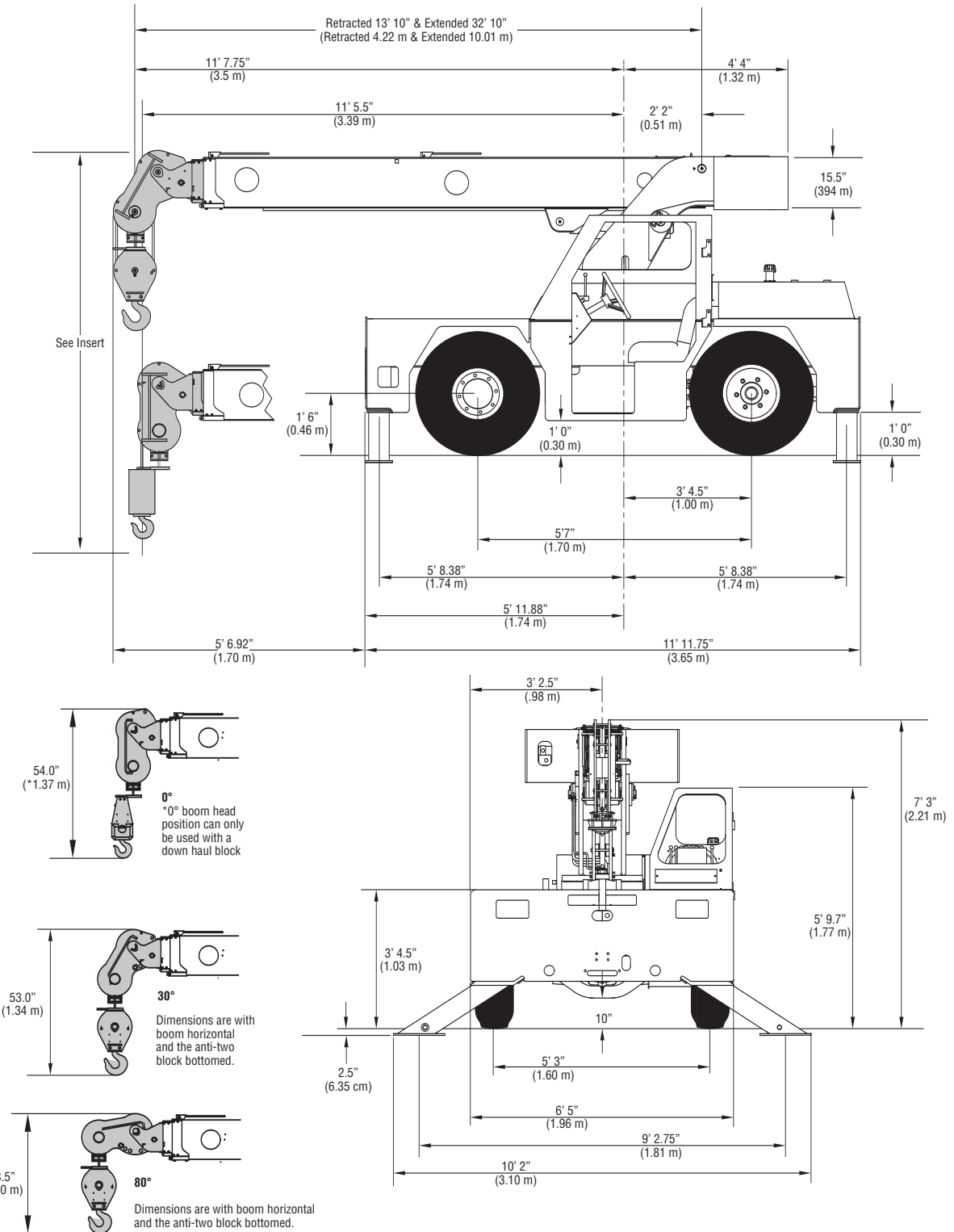


# Shuttlelift Carrydeck Crane 3339 - Specs

## 3339

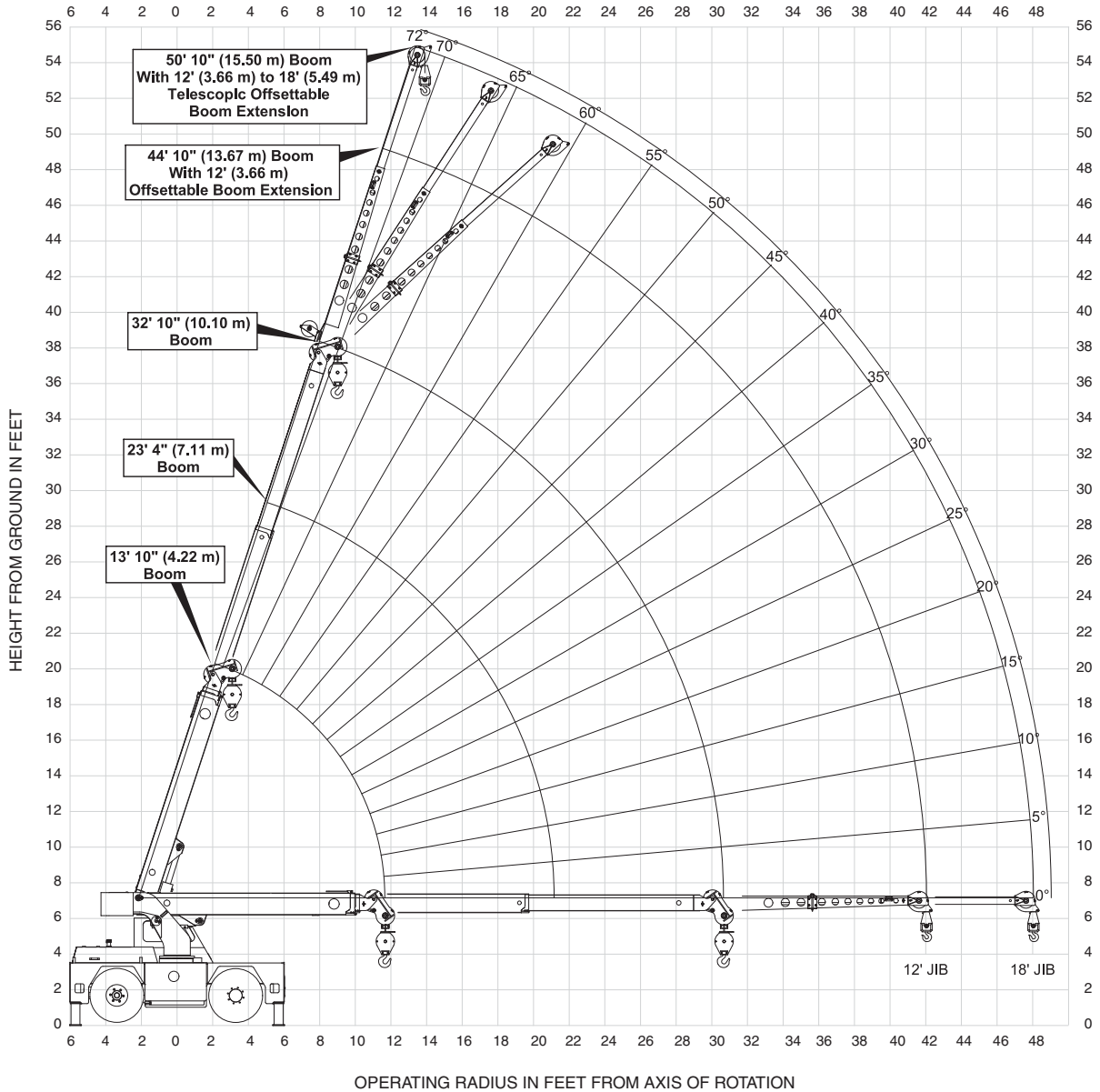


410 Stevenson Dr • Bolingbrook, IL 60440 • 630-972-9199  
16675 Van Dam Rd • South Holland, IL 60473 • 219-972-9199

[www.stevensoncrane.com](http://www.stevensoncrane.com)

# Shuttlelift Carrydeck Crane 3339 - Specs

## 3339



410 Stevenson Dr • Bolingbrook, IL 60440 • 630-972-9199  
16675 Van Dam Rd • South Holland, IL 60473 • 219-972-9199

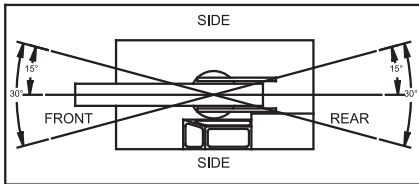
[www.stevensoncrane.com](http://www.stevensoncrane.com)

# Shuttlelift Carrydeck Crane 3339 - Specs

## 3339

	RADIUS (ft)	ON OUTRIGGERS (lbs)				ON RUBBER (lbs)	
		F/R		360°		F/R	360°
		BOOM RETRACTED	BOOM EXTENDED	BOOM RETRACTED	BOOM EXTENDED	ANY BOOM	ANY BOOM
MAIN BOOM	5.0	18000	14700	18000	14700	11500	9400
	6.0	15700	14400	15000	14400	10000	7500
	8.0	12200	12200	11400	11400	8100	5040
	10.0	10200	10200	9100	9100	5480	3530
	12.0	8400	8400	7600	7600	3920	2590
	14.0	-	7200	-	6500	3040	1970
	16.0	-	6200	-	5310	2420	1560
	18.0	-	5400	-	4340	1970	1250
	20.0	-	4830	-	3610	1640	1020
	22.0	-	4000	-	3030	1370	850
	24.0	-	3480	-	2590	1160	710
	26.0	-	3020	-	2250	990	590
	28.0	-	2680	-	2010	830	490
	31.0	-	2270	-	1740	650	360
	JIB	34.0	-	1960	-	1500	510
36.0		-	1770	-	1350	430	180
38.0		-	1590	-	1200	350	130
40.0		-	1420	-	1050	280	80
42.0		-	1270	-	930	210	60
44.0		-	1200	-	880	190	40
46.0		-	1160	-	820	170	20
48.0		-	1110	-	760	140	0

MAIN BOOM ANGLE (deg)	JIB STRUCTURAL CAPACITIES (lbs)					
	12 FT JIB			18 FT JIB		
	0° OFFSET	15° OFFSET	30° OFFSET	0° OFFSET	15° OFFSET	30° OFFSET
72	7500	5100	3500	4000	3300	2300
70	7000	4800	3400	3750	3100	2200
65	5700	4100	3100	3200	2700	2000
60	4500	3500	2800	2800	2400	1850
55	3500	3000	2550	2450	2150	1700
50	2800	2500	2300	2150	1950	1600
45	2300	2200	2000	1900	1750	1500
40	2000	1900	1800	1700	1600	1400
35	1775	1675	1600	1525	1450	1350
30	1600	1500	1400	1400	1300	1300
25	1450	1400	-	1275	1200	-
20	1350	1350	-	1175	1125	-
15	1300	1300	-	1100	1100	-
10	1275	-	-	1050	-	-
5	1225	-	-	1025	-	-
0	1200	-	-	1000	-	-



- The rated loads are the maximum lift capacities as determined by operating radius, boom extension and boom angle. The operating radius is the horizontal distance from a projection of the axis of rotation to the supporting surface, before loading, to the center of vertical hoist line or tackle with load applied.
- The rated loads shown on outriggers do not exceed 85% of actual tipping. The rated loads shown on rubber do not exceed 75% of actual tipping. These ratings are based on freely suspended loads with the crane leveled, standing on a firm, uniform supporting surface. Practical working loads depend on supporting surface, operating radius and other factors affecting stability. Hazardous surroundings, climatic conditions, experience of personnel and proper training must all be taken into account by the operator.
- The weights of all load handling devices such as hooks, hook blocks, slings, etc., except the hoist rope, shall be considered as part of the load. See reduction chart.
- Ratings on outriggers are for outriggers fully extended.
- Ratings on rubber depend on tire capacity, condition of tires and proper inflation pressure (100 psi). Loads on rubber may be transported at a maximum speed of 2.5 mph on a smooth hard level surface with boom retracted to the shortest length possible and centered over front.
- For operating radius not shown, use load rating of next larger radius.
- The maximum combined total boom and deck load is 12000 lbs. The maximum deck load only is 14000 lbs.
- Do not induce any external side loads to boom or jib.

REDUCTION CHART		
	FROM MAIN BOOM RATINGS	FROM JIB RATINGS
MAIN BLOCK	140 lbs	N/A
HOOK & BALL	100 lbs	100 lbs
JIB, STOWED	0 lbs	N/A
JIB, DEPLOYED	450 lbs	0 lbs

RIGGING CHART	
<p>1-PART 0-10000 lbs</p>	<p>2-PART 0-18000 lbs</p>
<p>WIRE ROPE: 9/16 inch diameter Min. breaking strength 35000 lbs.</p>	

JIB CAPACITY IS LIMITED BY BOTH STRUCTURAL CAPACITY CHART AND MAIN CAPACITY CHART.

SHADED AREAS ARE GOVERNED BY STRUCTURAL STRENGTH, DO NOT RELY ON TIPPING.

OPERATION OF THIS EQUIPMENT IN EXCESS OF RATING CHARTS AND DISREGARD OF INSTRUCTIONS IS DANGEROUS AND VOIDS WARRANTY.



410 Stevenson Dr • Bolingbrook, IL 60440 • 630-972-9199  
16675 Van Dam Rd • South Holland, IL 60473 • 219-972-9199

[www.stevensoncrane.com](http://www.stevensoncrane.com)