



## Performance

### Maximum Lifting Capacity

- 11,000 lbs (4,990 kg)

### Maximum Lift Height

- 57' (17.4 m)

### Maximum Forward Reach

- 42' 1" (12.8 m) (at 24" Load Center)

### Below Grade Reach

- 3' 11" (1.2 m)

### Maximum Travel Speed

- 20 mph (32 km/h)

### Frame

- 24° of Leveling (12° right and left)  
- Rear Axle Stabilization System  
- Fits Under 8' (2.4 m) Doorway  
- Outriggers

### Turning Radius

- 12' 6" (3.8 m)

## Warranty

### The Best in the Industry

- 2 year/2,000 hour

## Standard Equipment

### Engine

- Cummins 110 hp Tier III Turbo Diesel  
with Electronic Control and Protection  
- 34.8 Gallon (131.5 L) Fuel Tank

### Transmission

- Fully Modulated Carraro Powershift  
- Four Speed Forward and Reverse  
- Parking Brake Engaged Transmission  
Declutch

### Axles

- Four-wheel Drive  
- Carraro Outboard Planetary Axles

### Steering

- Four-wheel, Two-wheel, and Crab Steer

### Brakes

- Oil-immersed, Inboard Disc Service Brakes  
- Integral Park Brake

### Tires

- 14.00 x 24, 16 ply Foam Filled

### Boom

- Automatic Fork Leveling Without Slave  
Cylinders  
- Two Wide-stance, Heavy-duty Lift Cylinders

### Cab

- Unmatched Visibility  
- Adjustable Suspension Seat with Seat Belt  
- Full Set of Gauges for Instant Machine  
Status  
- Fully Adjustable Right-side Arm Rest

### Hydraulics

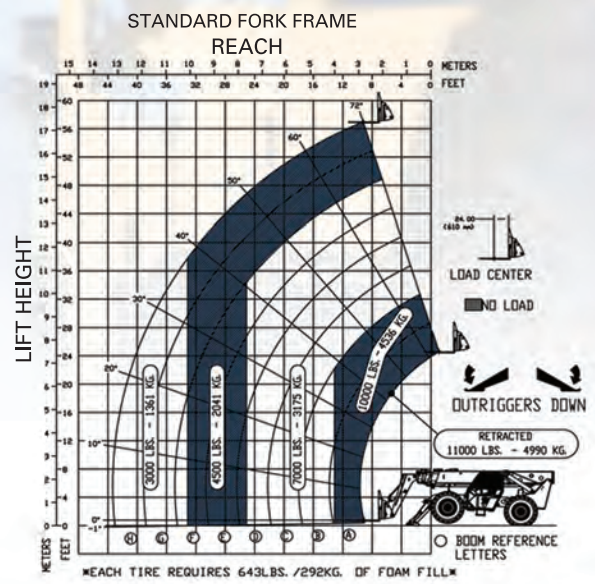
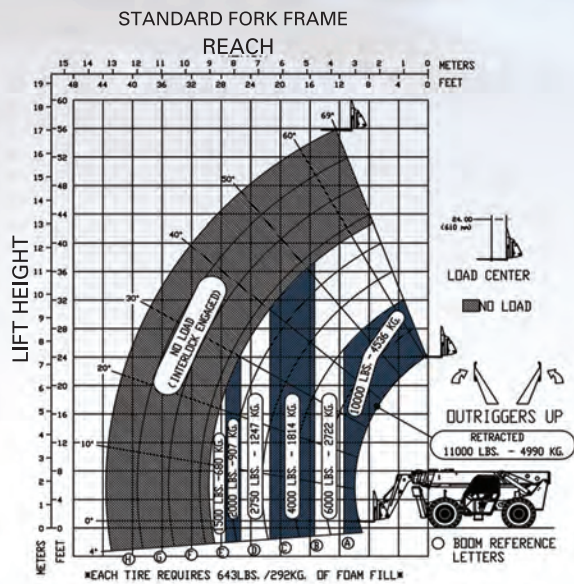
- Piston Pump  
- Rapid Response Hydraulic System  
- Auxiliary Boom Tip Hydraulics  
- Quick Disconnect for Attachments  
- Single Joystick for all boom functions

### Attachment

- 48" (1.2 m) Standard Fork Carriage  
- 2.25x4x48" Standard Pallet Forks

## Optional Equipment

- GPS Equipment Management System  
- Light Packages  
- Foam Filled Tires  
- Enclosed Cab (HWD)  
- Additional Options Available



### Dimensions

- Height**  
96" (2.4 m) Boom Down
- Length**  
24' 5" (7.5 m) to Fork Frame
- Width**  
102" (2.6 m)
- Ground Clearance**  
21" (0.5 m)
- Curb Weight (approximate)**  
35,000 lbs (15,876 kg)

### Optional Attachments

- Pallet, Lumber and Block Forks
- Side Tilt Carriages ±10°
- Side-swing Carriage with Hydraulics
- Truss Boom
- Utility Buckets
- Additional Attachments Available

### Contact Information

**Pettibone**  
1100 Superior Avenue  
Baraga, MI 49908  
800.GO.PETTIBONE  
  
gopettibone.com

NOTE: The Company reserves the right to change specifications and prices without notice in order to follow its policy of constantly striving to manufacture a better product without incurring any liability to provide these new features on any units previously manufactured.  
Prices and specifications subject to change without notice.